

## Medical Trolley



### Portable

Convenient for transportation and storage, saving more times for EMS



### Application

Applied to the ICU, NICU, Respiration, Anesthesia, Emergency, etc.



### Compatible

Compatible with Hugemed products of anesthesia, pulmonology, urology and so on.



# Rational use of space to store single-use endoscope.



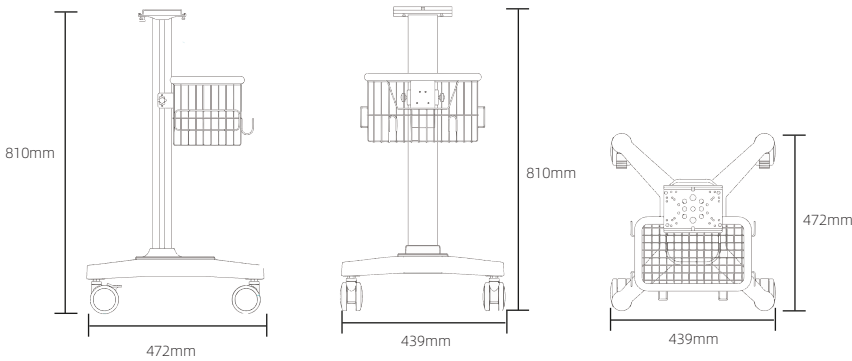
Convenient endoscope holder bracket keeps task-related items close for easy access

Large worksurface supports smooth workflows

Storage basket treated with antimicrobial to support infection control



## Physical structure dimensions



- Aluminum alloy material, reduce the weight of the overall machinery.
- Mute casters can reduce noise and mute without damaging the ground.
- Flexible adjustment of trolley lifting height, ergonomic

Specifications, design and accessories are subject to change without any notice or obligation on the part of the manufacturer.



**Shenzhen HugeMed Medical Technical Development Co., Ltd.**  
415, 416-1, 516-1, Building 2, No.1, Mawu Road, Baoan Community, Yuanshan Street,  
Longgang District, Shenzhen, Guangdong, 518115, China

+86-755-22275833    +86-755-22275833    info@hugemed.net

For more information  
please visit our website:  
[www.hugemed.net](http://www.hugemed.net)